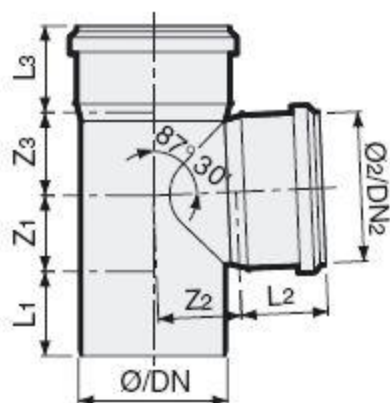
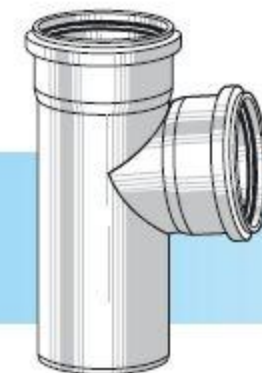


HTEA**BRAGA 87° 30'**

Ø / Ø ₂	DN* / DN* ₂	CODICE	Z ₁ (mm)	Z ₂ (mm)	Z ₃ (mm)	L ₁ (mm)	L ₂ (mm)	L ₃ (mm)	Kg	Quantità
32/32	32/32	508005	23	18	25	37	50	50	0.040	40
40/32	40/32	510005	23	23	25	33	51	51	0.050	40
40/40	40/40	508011	23	25	25	64	60	59	0.065	20
50/40	50/40	510011	23	30	25	54	50	50	0.065	20
50/50	50/50	508017	28	32	30	54	49	49	0.070	20
75/40	75/40	510017	22	45	26	52	50	54	0.105	20
75/50	75/50	510023	27	25	31	58	50	54	0.105	20
75/75	75/75	508023	40	25	43	59	54	55	0.125	20
90/40	90/40	599075	23	50,5	27	58	51	57	0.135	20
90/50	90/50	599077	28	50	32	58	49.5	57	0.152	20
90/90	90/90	599065	48	52	52	58	57	57	0.250	20
110/40	110/40	510029	23	60	27	60	51	65	0.105	20
110/50	110/50	510035	28	62	32	60	50	64	0.230	20
110/75	110/75	510041	40	61	45	61	55	65	0.240	20
110/110	100/100	508029	57	60	62	62	65	65	0.320	20
125/50	125/50	510047	28	67	33	90	54	72	0.348	10
125/110	125/110	510053	58	70	63	83	63	68	0.425	10
125/125	125/125	508035	65	69	70	68	68	68	0.600	10
160/110	160/110	510065	58	86	64	99	72	84	0.710	5
160/125	160/125	510071	64	132	71	148	79	86	0.945	5
160/160	160/160	508041	83	150	89	160	87	87	1.260	5

◆ Deviazione saldata